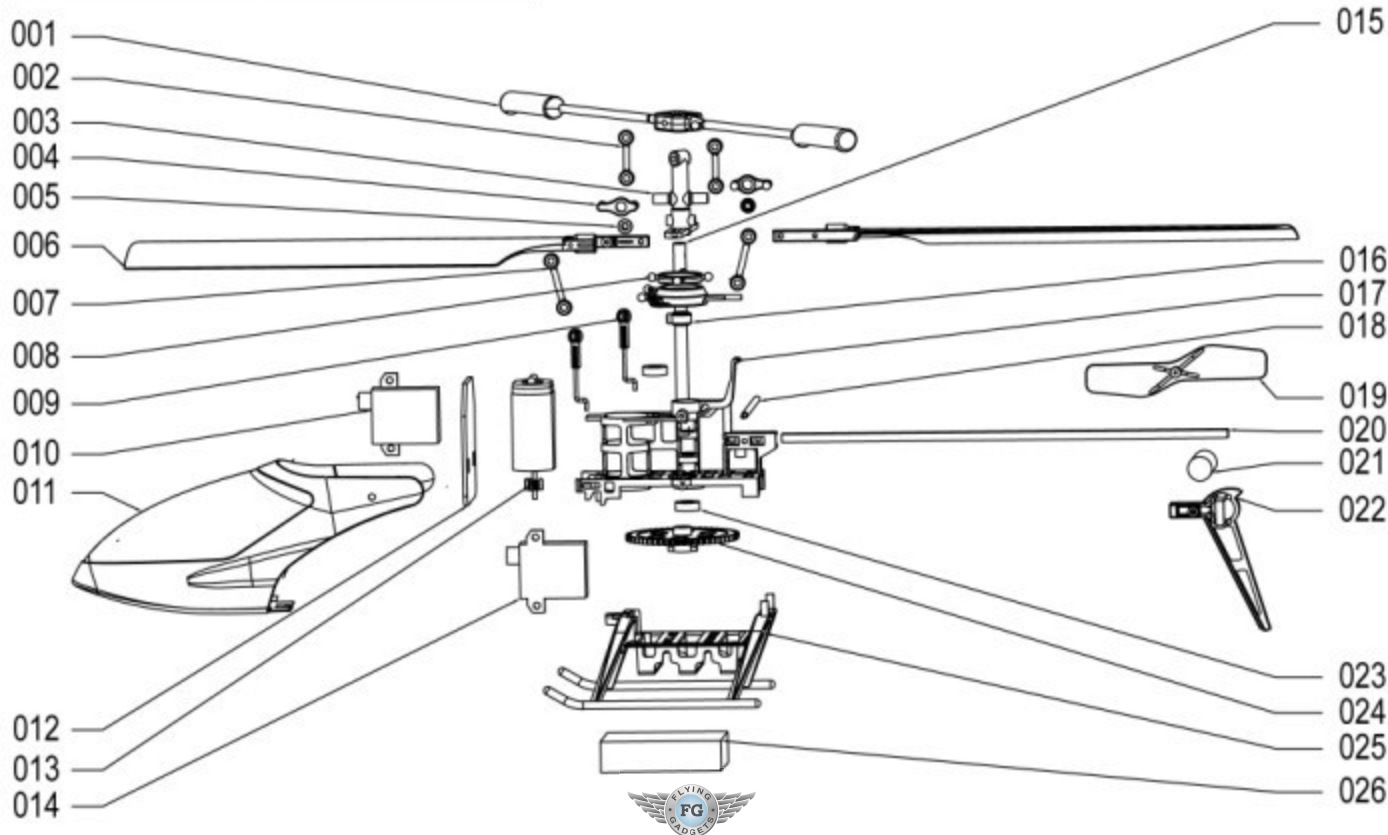


F47 Expanded Parts



| Part Number | Part Description | Number of Parts | Part Number | Part Description | Number of Parts | Part Number | Part Description | Number of Parts | Part Number | Part Description | Number of Parts |
|-------------|----------------------|-----------------|-------------|------------------|-----------------|-------------|-------------------------|-----------------|-------------|------------------|-----------------|
| 001 | Balance Bar | 1 | 008 | Swash plate | 1 | 015 | Spar | 1 | 022 | Fin | 1 |
| 002 | Upper Blade links | 2 | 009 | Servo Links | 2 | 016 | Upper blade Collar | 1 | 023 | Lower Collar | 2 |
| 003 | Spar Blade connector | 1 | 010 | Right Servo | 2 | 017 | Spar Fuselage Connector | 1 | 024 | Cog | 1 |
| 004 | Blade ckamp | 2 | 011 | Canopy | 1 | 018 | Fuselage pin | 2 | 025 | Landing Skid | 1 |
| 005 | Blade Pins | 2 | 012 | Bulk Head | 1 | 019 | Rear Propellor | 1 | 026 | Battery | 1 |
| 006 | Blades | 2 | 013 | Motor | 1 | 020 | Boom | 1 | | | |
| 007 | Lower blade links | 2 | 014 | Left Servo | 1 | 021 | Boom Pin | 1 | | | |